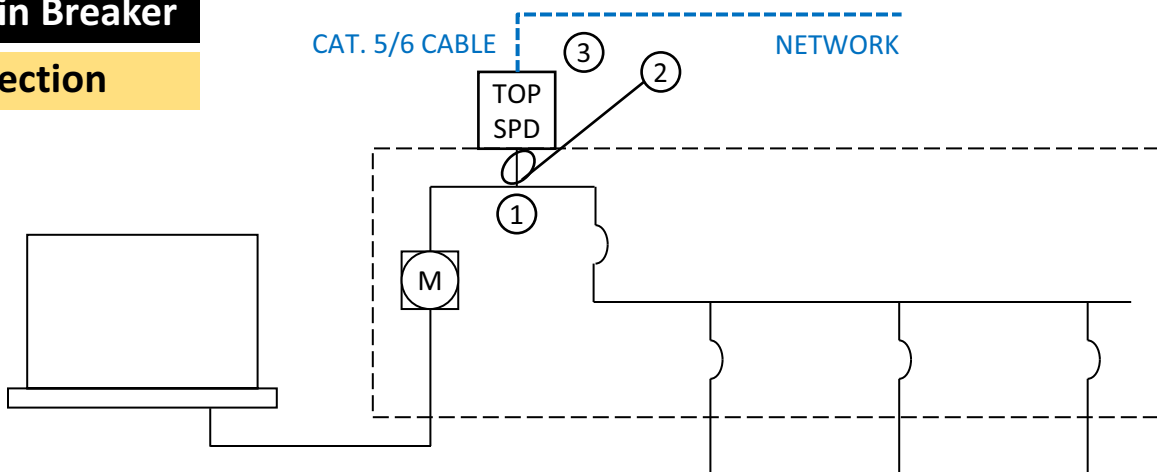


Select (SL3) for Temporary Overvoltage Protection (TOP) SPD for Main Panel/SES

Line Side of the Main Breaker

Direct Bus Connection



SHEET NOTES

- ① SWITCHGEAR MANUFACTURER TO INSTALL #2 AWG TAP LUGS.
- ② FOR SES 1000 A - 3000 A, USE 4 #2 AWG & 1 #2 AWG GROUND.
- ③ TEMPORARY OVERVOLTAGE PROTECTION SPD EXTERNALLY MOUNTED IN NEMA 4/12 ENCLOSURE WITH INTEGRAL DISCONNECT SWITCH. 20 YEAR WARRANTY. UL 1449 4TH EDITION LISTED, TYPE 1. $I_{NOMINAL} = 20 \text{ KA}$, MCOV AT LEAST 115% OF NOMINAL. TESTED PERFORMANCE PER MODE SHALL BE AS FOLLOWS. SURGE CURRENT CAPACITY: (Insert from Column A below). REPETITIVE IMPULSE CAPACITY: (Insert from Column B below). SUBMIT TESTING DOCUMENTATION: OVERVOLTAGE PROTECTION, SURGE CURRENT CAPACITY AND REPETITIVE IMPULSE CAPACITY. NETWORK-BASED MONITORING SYSTEM. STATUS, PERFORMANCE AND POWER QUALITY MONITORING THROUGH THE FACILITY'S NETWORK VIA A WEBSERVER. NO SOFTWARE IS REQUIRED. AFTER INSTALLATION, USE A PORTABLE SURGE GENERATOR/TEST SET TO CONFIRM THE OPERATILITY OF ALL SPD COMPONENTS AND THE PRESENCE OF A NEUTRAL-TO-GROUND BOND. MEASURE AND RECORD ALL LET-THRU VOLTAGES AND SUBMIT THE REPORT TO THE ENGINEER. CURRENT TECHNOLOGY MODEL (Insert from chart below).

Product Application		
Service Entrance Current Rating	Surge Current Capacity per Mode (x2 per Phase)	
	Single Service Entrance	Multiple Service Entrances*
3000 A (and Above)	300 kA	200 kA
2500 A	250 kA	200 kA
2000 A	200 kA	150 kA
1600 A	150 kA	125 kA
1000 A - 1200 A	125 kA	125 kA

* Multiple Service Entrances to be understood as one feed from a utility substation feeding multiple (i.e., more than one) utility transformers and/or utility meters for their respective Service Entrance sections.

Application Specific Performance and Model Numbers

COLUMN A	COLUMN B	480Y/277 V Systems	208Y/120 V Systems
Surge Current Capacity per Mode (x2 per phase)	Repetitive Impulse Capacity per Mode	Type 1 Direct Bus Connection	Type 1 Direct Bus Connection
300 KA	17,000	SL3-300-480-3Y-MDB-M4E	SL3-300-208-3Y-MDB-M4E
250 KA	16,000	SL3-250-480-3Y-MDB-M4E	SL3-250-208-3Y-MDB-M4E
200 KA	15,000	SL3-200-480-3Y-MDB-M4E	SL3-200-208-3Y-MDB-M4E
150 KA	14,500	SL3-150-480-3Y-MDB-M4E	SL3-150-208-3Y-MDB-M4E
125 KA	14,000	SL3-125-480-3Y-MDB-M4E	SL3-125-208-3Y-MDB-M4E

For other voltage configurations and options, see the SL3 Series Product Configuration Guide